



台塑電池  
FORMOSA BATTERY

# Household Energy Storage System

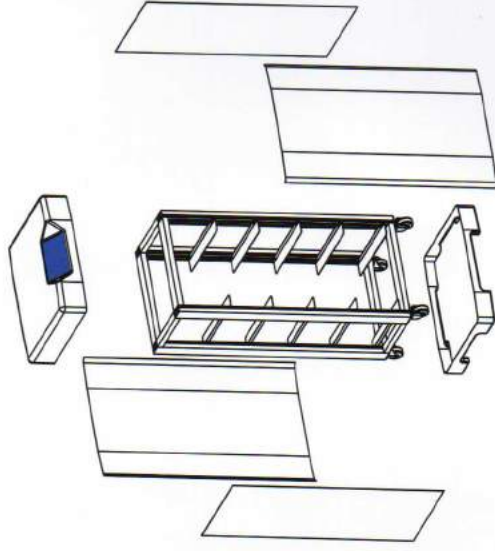
Energy Creation • Storage • Saving



# One main structure and two housing options

## System Management Interface

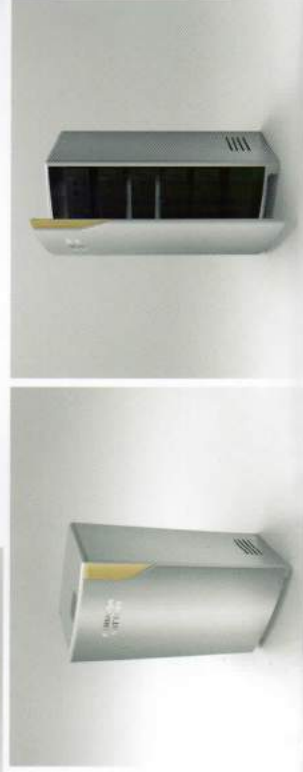
- ⚡ Integrate energy creation, energy storage and energy saving, integrating "solar power generation, diversified power storage, energy consumption management", with a whole system pricing and one-time construction fee.
- ⚡ Reliable energy status and visualization: You can watch real-time power generation and loading data, access historical data, viewing the content according to the usage status, print out a list of reports, and compare the electricity bills.
- ⚡ Set the power safety management mechanism: When the utility power is interrupted or the power is abnormal, the system will automatically send an emergency notification by using the email and GSM text message.
- ⚡ Emergency & fire emergency service: When the mains supply is interrupted, the system can automatically provide the long-term backup source power supply and start the mains interruption power load management mode, and extend the power supply time.
- ⚡ Wise balance high-value electricity price function: set the "off-peak charging, peak discharge" mode, with night-time savings from the peak electricity price and together with solar power supply load demand.



### Sense of Technology



### Sense of Modernity



# System host and related kits

- ◆ Home energy management server ◆ DC/AC power distribution panel and cable
- ◆ High-energy backup storage array ◆ suite
- ◆ Smart socket and power switch ◆ Integrated solar power supply

## Household Energy Storage System

LFPO Battery Capacity	5KWh (48V 100Ah)	10KWh (48V 200Ah)
AC Output	220V/110V 60Hz Single phase	
AC Output Power	7.5kW(Max.) 5kW(Continuous)	15kW(Max.) 10kW(Continuous)
Battery Charge Power	5kW(Max.) 2.5kW(Continuous)	10kW(Max.) 5kW(Continuous)
Running Mode	On-Grid: Peak shaving Off-Grid: Emergency power supply	
Protection Function	Over voltage 、 Over current 、 Over temperature 、 Low SOC 、 Leakage detection	
Battery Cabinet Dimensions (DxWxH)mm	500x600x1200	
Total Weight(Kg)	About 100	About 140
Operating Temperature Range	-10°C ~ 50°C	
Warranty	5 years	

Model comes in various color



Fashion two tone





**台塑汽車貨運股份有限公司**  
FORMOSA PLASTICS TRANSPORT CORPORATION

